

OpenAir™

Damper Actuator Modbus RTU

G..B111.1E/MO



Damper actuator 5 / 10 Nm with Modbus communication

- GDB111.1E/MO Operating voltage AC 24 V, 5 Nm
- GLB111.1E/MO Operating voltage AC 24 V, 10 Nm
- For air-handling units (AHU) and other ventilation applications
- Operating voltage AC 24 V
- 5 and 10 Nm nominal torque
- Modbus RTU communication
- UL listed

Functions

Function	Description
Communication	Modbus RTU (RS-485), galvanically separated
Functions	<ul style="list-style-type: none"> - Setpoint 0..100% - Actual value for position 0..100% - Override control Open / Close / Min / Max / Stop - Setpoint monitoring and backup mode
Supported baudrates	9.6, 19.2, 38.4, 57.6, 78.4, 115.2 kbaud
Supported transmission formats	1-8-E-1, 1-8-N-1-, 1-8-O-1, 1-8-N-2
Termination	120 Ω electronically switchable
Supported Modbus function codes	03 Read Holding Registers, 04 Read Input Registers, 06 Write Single Register, 16 Write Multiple registers (max. 120 registers within one message)

For a detailed description of specific functions please refer to the product documentation CE1Z4634 ¹⁾.

Type summary

Product no.	Stock no.	Operating voltage	Positioning signal	Power consumption	Posit. time	Manual adjuster	Position feedback
GDB111.1E/MO	S55499-D191	AC 24 V	Modbus RTU	1 VA / 0,5 W	150 s	Yes	Yes
GLB111.1E/MO	S55499-D199			3 VA / 2,5 W ²⁾			
Please refer to data sheet N4698 for information on accessories and spare parts.							

²⁾ Actuator rotates

Ordering (Example)

Product no.	Stock no.	Description	Amount
GDB111.1E/MO	S55499-D191	Damper actuator Modbus	1

Equipment combinations

Product no.	Stock no.	Description	Doc. type	Doc. number
AST20	S55499-D165	Handheld tool for commissioning and service	Datasheet	A6V10631836 ¹⁾
			Operating manual	A6V10555077 ¹⁾

Product documentation

Title	Topic	Document ID
Rotary damper actuators without spring return GDB/GLB..1	Detailed information about rotary actuators without spring return (5/10 Nm), incl. Modbus types	CE1Z4634 ¹⁾
Installation Instruction	Mounting / installation instruction for rotary actuators 5 / 10 Nm	M4634 ¹⁾

¹⁾ Related documents such as environmental declarations, CE declarations, etc., can be downloaded at the following Internet address:

<http://siemens.com/bt/download>

For more detailed explanations on device states, functions and error display, cf. product documentation CE1Z4634 ¹⁾.

Push-button operation

Activity	Push-button operation	Confirmation
Display current address (in reverse order)	Press button < 1s	Current address is displayed
Enter Modbus address with push-button	Press button > 1s and < 5s	See description next page
Enter push-button addressing mode (for use with Climatix™ controllers)	Press button > 5s and < 10s	LED shines orange (release button when red LED gets dark). Timeout after 1 min.
Reset to factory settings	Press button > 10s	LED flashes orange

LED colors and patterns

Color	Pattern	Description
Green	steady	Start-up
	1s on / 5s off	Fault free operation ("life pulse")
	flashing	Bus traffic
Orange / green	1s orange / 1s green	Device is in override control
Orange	1s on / 1 off	Bus parameters not yet configured
Orange	1s on / 5s off	Backup mode entered
Red	Steady	Mechanical fault / device jammed
	1s on / 5s off	Internal error
	0.1s on / 1s off	Invalid configuration, e.g. Min = Max

Resetting the device by push button

The damper actuators can be reset by push-button:

1. Press button for >10s → LED starts flashing **orange**
2. Release button while LED still flashes → LED keeps flashing for 3s
3. If the button is pressed within these 3s, the reset is cancelled.
4. After those 3s → LED shines **red** (reset), then **green** (start-up).

¹⁾ Related documents such as environmental declarations, CE declarations, etc., can be downloaded at the following Internet address:

<http://siemens.com/bt/download>

Display current address (digits in reverse order)

The Modbus address can be set without a separate tool by using the push-button and LED.

To display the current address, press button <1s.

Colors		
1-digits: red	10-digits: green	100-digits: orange
Example for address 124:		
LED		
Note	The address is entered and shown in reverse order.	

Set new address (digits in reverse order)

- Enter addressing mode:** press button > 1s until LED shines **red**, then release button (before LED gets dark).
- Enter digits:** press button n-times → LED flashes per button press (feedback).
Colors: 1-digits: **red** / 10-digits: **green** / 100-digits: **orange**
- Store digits:** press button until LED shines in color of following digits – release button,
- Save address:** press button until LED shines **red** (confirmation) → release button.
An address can be stored at any time, i.e. after setting the 1-digits, or after setting the 1- and the 10-digits.
- Entered address is repeated one times for confirmation.

Note: If button is released before LED shines red, the address is discarded.

Examples

Set address “124”:

- Enter addressing mode
- Set 1-digits: Press button 4-times → LED flashes **red** per button press
- Store 1-digits: press button until LED shines **green** – release button
- Set 10-digits: Press button 2-times → LED flashes **green** per button press
- Store 10-digits: press button until LED shines **orange** – release button
- Set 100-digits: Press button 1-times → LED flashes **orange** per button press
- Store address: press button until LED shines **red** – release button
→ address is stored and displayed 1x for confirmation

Set address “50”:

- Enter addressing mode
- Skip 1-digits: Hold button pressed until LED shines **green** – release button
- Set 10-digits: Press button 5-times → LED flashes **green** per button press
- Store address (skip 100-digits): hold button pressed until LED shines **red**
– release button
→ address is stored and displayed 1x for confirmation

Set address “5”:

- Enter addressing mode
- Set 1-digits: Press button 5-times → LED flashes **green** per button press
- Store address: press button until LED shines **red**
→ address is stored and displayed 1x for confirmation

For a detailed description of specific functions please refer to the product documentation Z4634 ¹⁾.

Reg.	Name	R/W	Unit	Scaling	Range / enumeration
Process Values					
1	Setpoint	RW	%	0.01	0..100
2	Override control	RW	--	--	0 = Off / 1 = Open / 2 = Close 3 = Stop / 4 = GoToMin / 5 = GoToMax
3	Actual position	R	%	0.01	0..100
256	Command	RW	--		0 = Ready / 1 = Adaption / 2 = Selftest 3 = RelnitDevice / 4 = RemoteFactory Reset

Parameters					
257	Opening direction	RW	--	--	0 = CW / 1 = CCW
258	Adaptive Mode	RW	--	--	0 = Off / 1 = On
259	Operating Mode	RW	--	--	1 = POS
260	MinPosition	RW	%	0.01	0..100
261	MaxPosition	RW	%	0.01	0..100
262	Actuator Running Time	R	s	1	150
513	Backup Mode	RW	--	--	0 = Go to BackupPosition 1 = Keep last position 2 = Disabled
514	Backup Position	RW	%	0.01	0..100
515	Backup Timeout	RW	s	1	0..65535
516	Startup Setpoint	RW	%	0.01	0..100
764	Modbus Address	RW	--	--	1..247 / 255 = "unassigned"
765	Baudrate	RW	--	--	0 = auto / 1 = 9600 / 2 = 19200 3 = 38400 / 4 = 57600 / 5 = 76800 6 = 115200
766	Transmission Format	RW	--	--	0 = 1-8-E-1 / 1 = 1-8-O-1 2 = 1-8-N-1 / 3 = 1-8-N-2
767	Bus Termination	RW	--	--	0 = Off / 1 = On
768	Bus Conf. Command	RW	--	--	0 = Ready / 1 = Load / 2 = Discard
769	Status	R	--	--	See below

Device information					
1281	Factory Index	R	--	--	Cf. product documentation CE1Z4634 ¹⁾
1282-83	Factory Date	R	--	--	
1284-85	Factory SeqNo	R	--	--	
1409-16	TypeASN [Char_16..1]	R	--	--	

¹⁾ The documents can be downloaded from <http://siemens.com/bt/download>

Register 769 “Status”

Status			
Bit 00	1 = Local override	Bit 06	1 = Adaption done
Bit 01	1 = Backup mode active	Bit 07	1 = Adaption in progress
Bit 02	1 = reserved	Bit 08	1 = Adaption error
Bit 03	1 = reserved	Bit 09	1 = Selftest failed
Bit 04	1 = Device jammed	Bit 10	1 = Selftest passed
Bit 05	1 = Nom. lifetime exceeded	Bit 11	1 = Invalid configuration

Supported function codes

Function codes	
03 (0x03)	Read Holding Registers
04 (0x04)	Read Input Registers
06 (0x06)	Write Single Register
16 (0x10)	Write Multiple registers (Limitation: Max. 120 registers within one message)

Notes

Safety

⚠ Caution

National safety regulations
 Failure to comply with national safety regulations may result in personal injury and property damage.

- Observe national provisions and comply with the appropriate safety regulations.

Mounting

- Do not open the damper actuators
- Do not use the accessory mounting holes for fixation of the damper actuators

Mounting

Mounting positions

IP54 protection in following mounting positions	Accessory mounting holes ¹⁾
<p>⚠ IP54</p>	<p>7 ... 10 Nm 4 mm</p> <p>only for: ASK 71.5 ASK 71.6</p> <p>Cf. mounting instr. A6V10409478 ²⁾</p>

⚠ ¹⁾ Not to be used for fixation of the actuator, use anti-rotation-bracket instead.

²⁾ Related documents such as environmental declarations, CE declarations, etc., can be downloaded at the following internet address:

<http://siemens.com/bt/download>

Parameterization

The following parameters must be checked or set prior to commissioning:

Parameter	Range	Description	Factory setting
Opening direction	CW (R) / CCW (L)	Opening direction of air damper	CW (R)
Adaptive positioning	Off / On	Adaption of actual opening range to position feedback Off = No adaption / mapping 0°..90° → 0..100 % On = Pos. adaption / mapping e.g. 0°..60° → 0..100 %	Off

Commissioning workflow 1: Full or partial configuration by tool

When using the AST20 handheld tool, all bus and actuator parameters can be set.

- Connect the AST20 to the damper actuator and navigate to the bus configuration menu
- Set bus parameters as desired
- Optionally make changes on actuator parameters.

Note
With AST20, all parameters can be set using the mass configuration function. The bus parameters are included in the mass configuration function. It can be selected that the address is automatically incremented with each programmed damper actuator.

Commissioning workflow 2: Configuration over bus (full or partially)

The devices can be configured over bus if the pre-commissioning settings allow for a connection between the Modbus master / programming tool and peripheral devices (i.e. non-conflicting addresses and matching baudrate / transmission format).

- Full configuration over bus: If the address is unique per segment when powered up, the device can be accessed by the Modbus master (or programming tool) and the address and other parameters can then be set to the definitive values.
- Partial configuration over bus: If the address is not unique per segment when powered up, each device must get a non-conflicting address before connecting it to the bus (e.g. using the push-button addressing method). After addressing all devices, the remaining configuration can be done over the bus using the default settings for baudrate (auto-baud) and transmission mode for the Modbus master.
- Overwriting the bus configuration over bus uses a timeout. If „1 = Load“ is not written into Reg 768 within 30 seconds, all values are discarded.

Example: Table shows bus configuration registers before and after changing them over bus.

Reg.	Name	Pre-commissioning	New value (ex.)
764	MacAddress	46	12
765	Baudrate	0 = auto	1 = 9600
766	Transmission Mode	0 = 1-8-E-1	3 = 1-8-N-2
767	Termination	0 = Off	0 = Off
768	BusConfigCmd	0 = Ready	1 = Load

Maintenance

The damper actuators are maintenance-free.

Disconnect the electrical connections from the terminals if you want to work at the device.

Disposal



The device is considered an electronics device for disposal in terms of European Directive 2012/19/EU and may not be disposed of as domestic garbage.

- Dispose of the device through channels provided for this purpose.
- Comply with all local and currently applicable laws and regulations.

Warranty

Technical data on specific applications are valid only together with Siemens products listed under "Equipment combinations". Siemens rejects any and all warranties in the event that third-party products are used.

Technical data

Power supply		
Operating voltage	G..B111.1E/..	AC 24 V ± 20 % (SELV) or AC 24 V class 2 (US)
Frequency		50/60 Hz
Power consumption	at 50 Hz	
	Actuator holds	1 VA / 0.5 W
	Actuator rotates	3 VA / 2.5 W
Function data		
Positioning time for nominal rotation angle	G..B111.1E/..	150 s (50 Hz) 120 s (60 Hz)
Nominal torque	GDB..	5 Nm
	GLB..	10 Nm
Maximum torque	GDB..	< 7 Nm
	GLB..	< 14 Nm
Nominal / maximum rotation angle		90° / 95° ± 2°
Direction of rotation	Adjustable by tool or over bus	Clockwise (CW) / Counter-clockwise (CCW)
Connection cables		
Cable length		0.9 m
Power supply / Communication	Number of cores and cross-sectional area	5 x 0.75 mm ²
Service interface	Terminal strip	7-pin, grid 2.00 mm
Communication		
Communication protocol	Modbus RTU	RS-485, galvanically separated
	Number of nodes	Max. 32
	Address range	1...247 / 255 Default: 255
	Transmission formats	1-8-E-1 / 1-8-O-1 / 1-8-N-1 / 1-8-N-2 Default: 1-8-E-1
	Baudrates (kBaud)	Auto / 9.6 / 19.2 / 38.4 / 57.6 / 76.8 / 115.2 Default: Auto
	Termination	120 Ω electronically switchable Default: Off
Degree of protection		
Degree of protection	Degree of protection acc. to EN 60529 (see mounting instruction)	IP54
Safety class	Safety class acc. to EN 60730	III

Environmental conditions		
Applicable standard		IEC 60721-3-x
Operation	Climatic conditions	Class 3K6
	Mounting location	Indoors
	Temperature general	-32...55 °C
	Humidity (non condensing)	5...95 % r. h.
Transport	Climatic conditions	Class 2K3
	Temperature	-25...70 °C
	Humidity	5...95 % r. h.
Storage	Climatic conditions	Class 1K3
	Temperature	-5...45 °C
	Humidity	5...95 % r. h.

Directives and Standards		
Product standard		EN60730-x
Electromagnetic compatibility (Application)		For residential, commercial and industrial environments
EU Conformity (CE)		GDB111.1E/MO
		GLB111.1E/MO
RCM Conformity		A5W00003842 ¹⁾ A5W00000176 ¹⁾
UL, cUL	AC 24 V	A5W00003843 ¹⁾ A5W00000177 ¹⁾
		UL 873 http://ul.com/database

Environmental compatibility	
	The product environmental declaration A6V10209938 ¹⁾ contains data on environmentally compatible product design and assessments (RoHS compliance, materials composition, packaging, environmental benefit, disposal).

Dimensions / Weight		
Weight	Without packaging	0.6 kg
Dimensions		71 x 158 x 61 mm
Suitable drive shafts	Round shaft (with centering element)	8...16 mm (8...10 mm)
	Square shaft	6...12.8 mm
	Min. drive shaft length	30 mm
	Max. shaft hardness	<300 HV

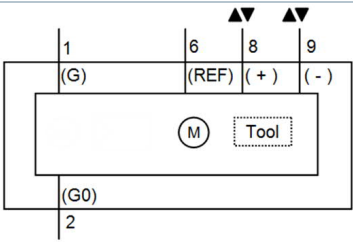
¹⁾ The documents can be downloaded from <http://siemens.com/bt/download>

Diagrams

Internal diagrams

The damper actuators are supplied with a prewired connecting and communication cable. All interconnected devices must be connected to the same G0.

Core desig.	Core color	Terminal code	Description
1	red (RD)	G	System voltage AC 24 V
2	black (BK)	G0	System neutral AC 24 V
6	violet (VT)	REF	Reference
8	grey (GY)	+	Bus (Modbus RTU)
9	pink (PK)	-	Bus (Modbus RTU)

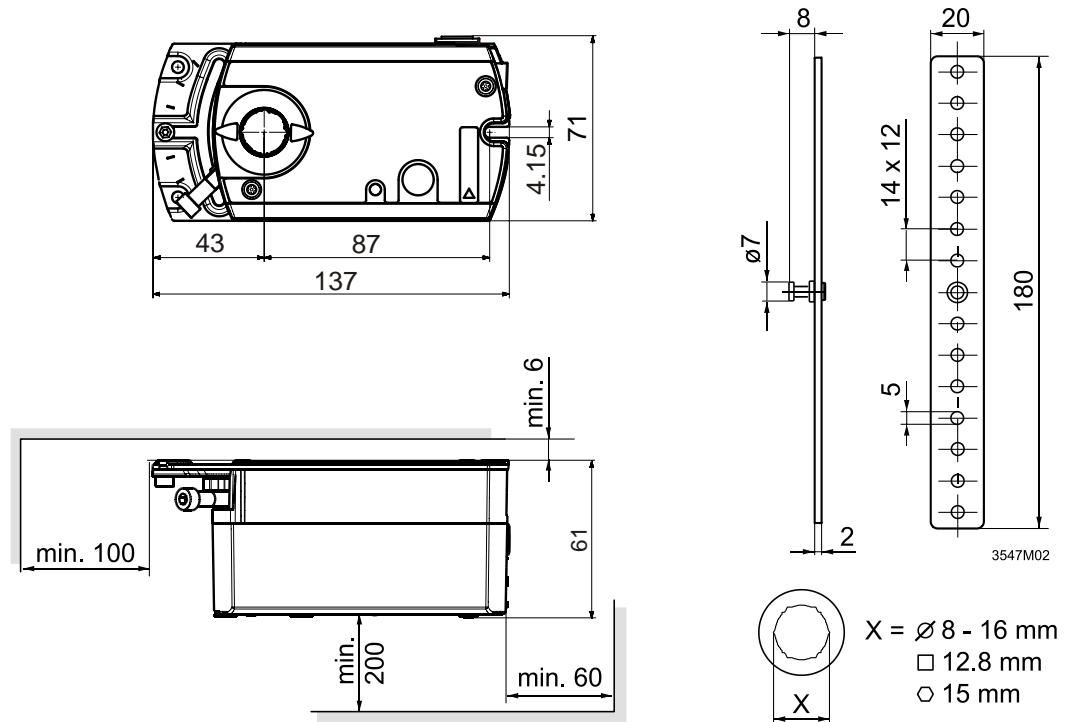


Note

The operating voltage at terminals G and G0 must comply with the requirements under SELV or PELV. Safety transformers with twofold insulation as per EN 61558 required; they must be designed to be on 100 % of the time.

Dimensions

G..B111.1E/..



Measurements in mm

Issued by
Siemens Switzerland Ltd
Smart Infrastructure
Global Headquarters
Theilerstrasse 1a
6300 Zug
Switzerland
Tel. +41 58-724 24 24
www.siemens.com/buildingtechnologies

© Siemens Switzerland Ltd, 2016
Technical specifications and availability subject to change without notice.

Dokument-ID A6V10881141_en--_c
Ausgabe 2019-04-25